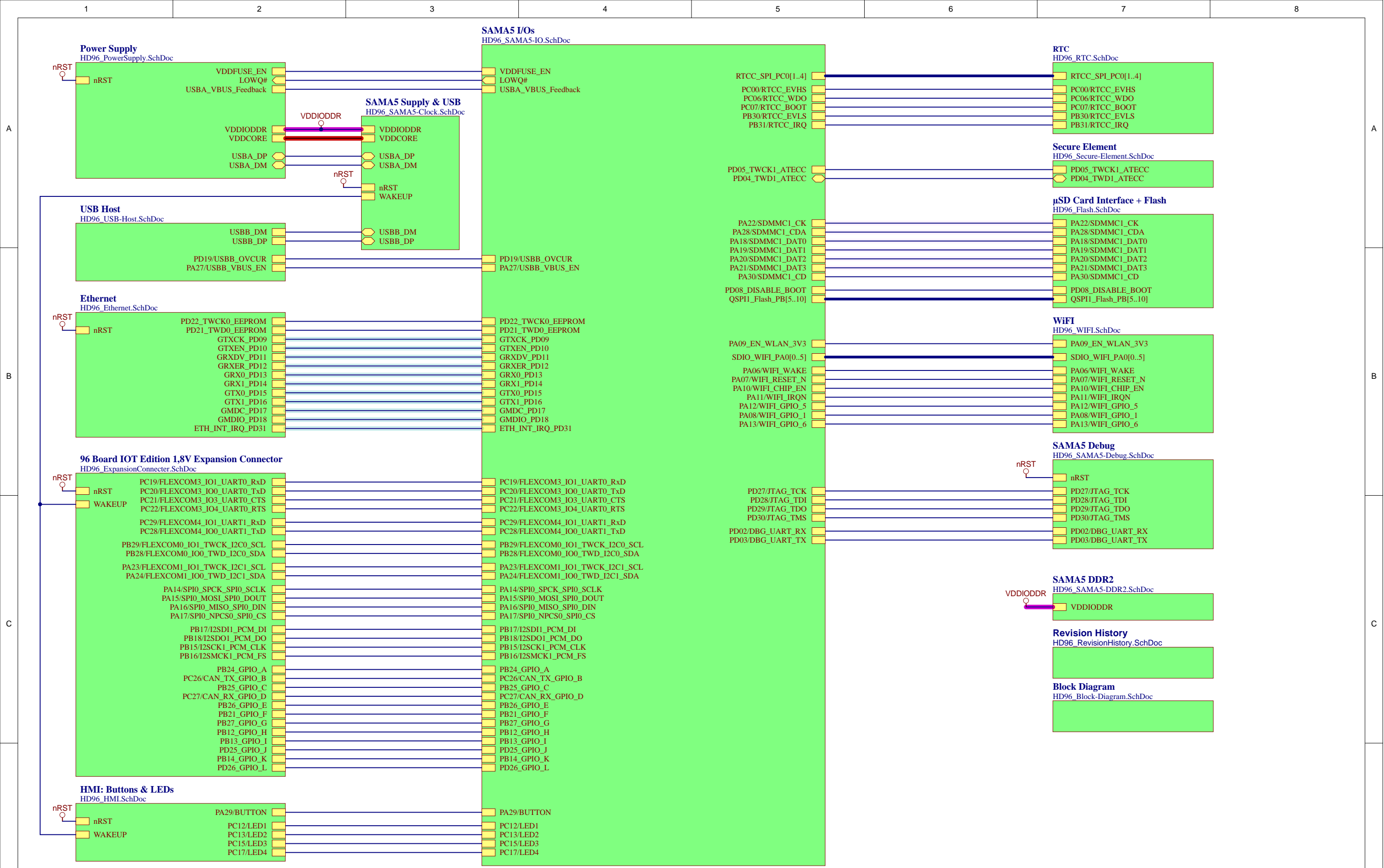



More Informations on Github:  
<https://github.com/ArrowElectronics/hd96>

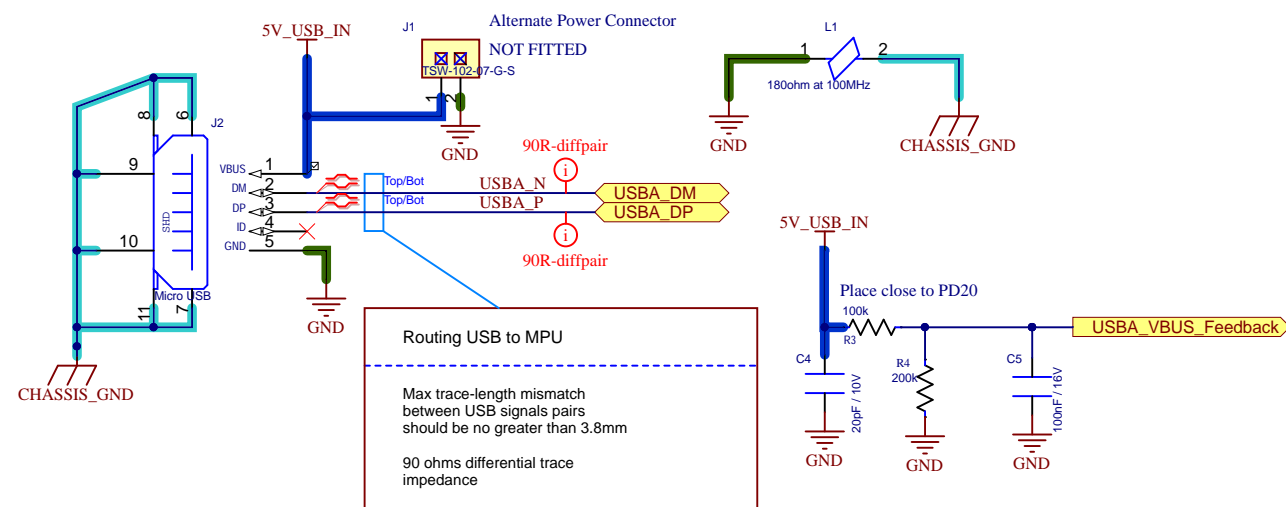
<p>System-Entwicklung und Beratung www.newtec.de</p>	Product: NTSecureGateway HelmsDeep96		
	Sheet: Block Diagram		
	File Name: HD96_Block-Diagram.SchDoc	Document Number: 11648_0008_0002_A-96Board	Revision: V 1.3
	Last Modification: 04.10.2019 17:46:50		Blatt 1 von 16



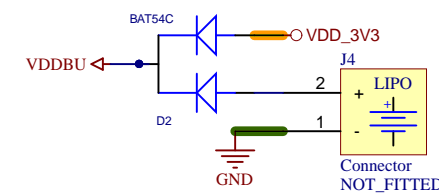
Z1  
label 18x8  
Label 18x8

 System-Entwicklung und Beratung www.newtec.de	Product: NTSecureGateway HelmsDeep96		
	Sheet: Cover Sheet		
	File Name: HD96_CoverSheet.SchDoc	Document Number: 11648_0008_0002_A-96Board	Revision: V 1.3
	Last Modification: 04.10.2019 17:46:50		Blatt 2 von 16

## USB Device + Power Supply Connector (Micro USB)

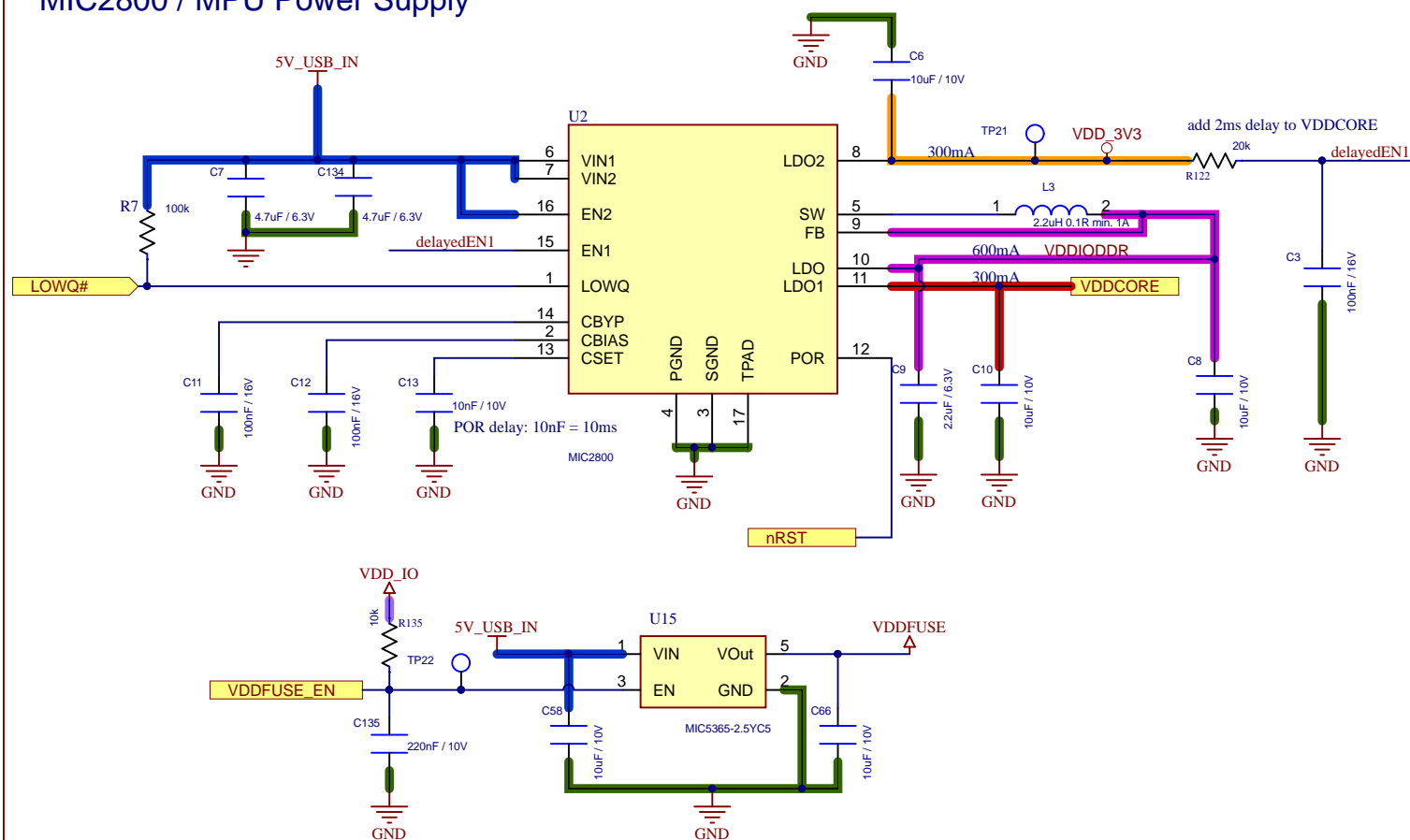


## Backup Power Supply

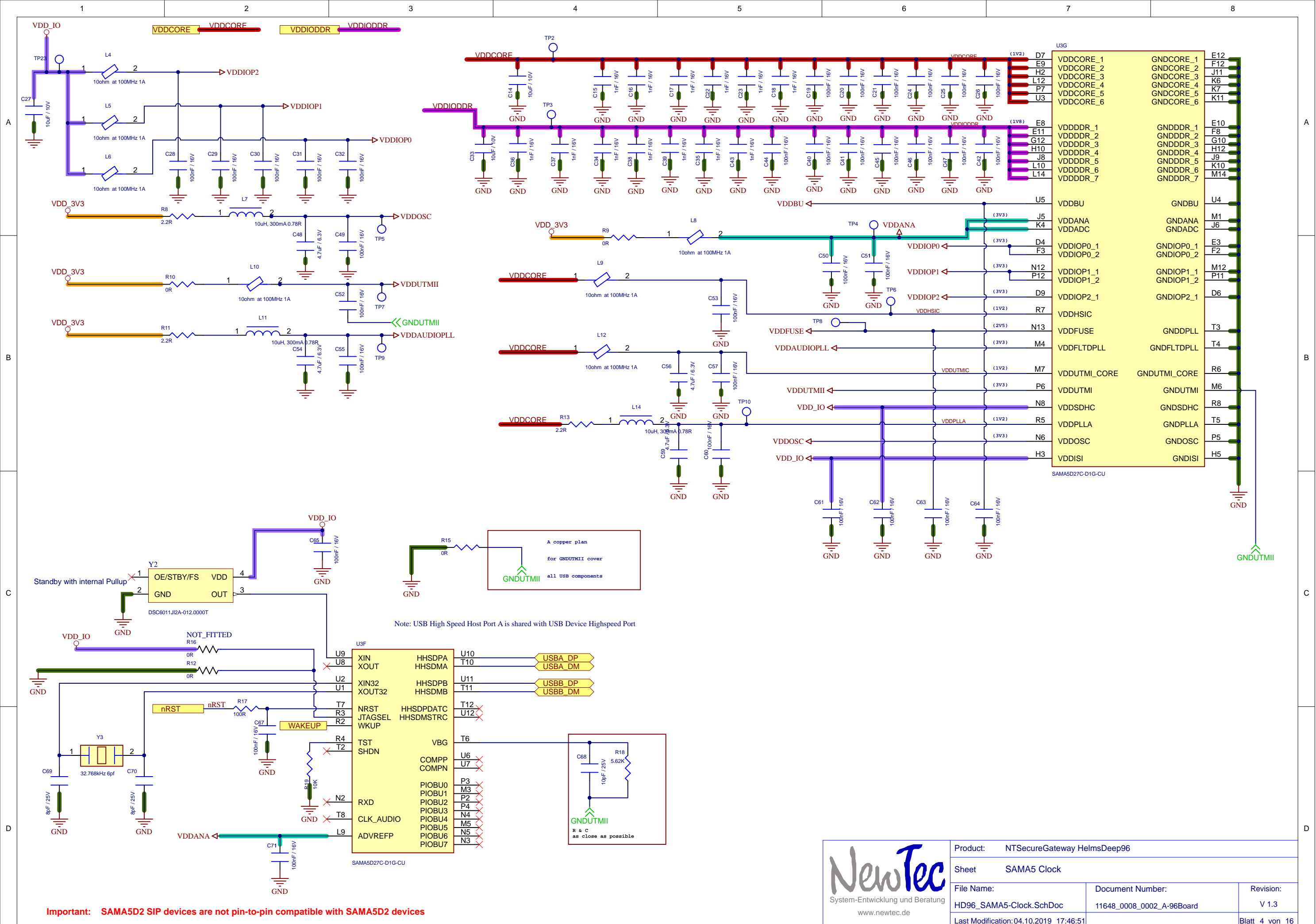


To keep Fuse emulation during Power Down, Supply VDDBU external with 3V3

## MIC2800 / MPU Power Supply



- 5V\_USB\_IN - Main power supply from uUSB Device Port
- VDD\_MAIN\_5V - Line is connected with a Jumper to VDD\_5V
- VDDIODDR - 1V8 Volt output from MIC2800 (supplied DDR RAM)
- VDDCORE - 1V25 Volt output Core, including the processor, the embedded memories and the peripherals
- VDD\_3V3 - additional 3V3 voltage generation (actually powered all peripheral components)
- VDDFUSE - 2V5 Voltage Supply for customer fuse matrix

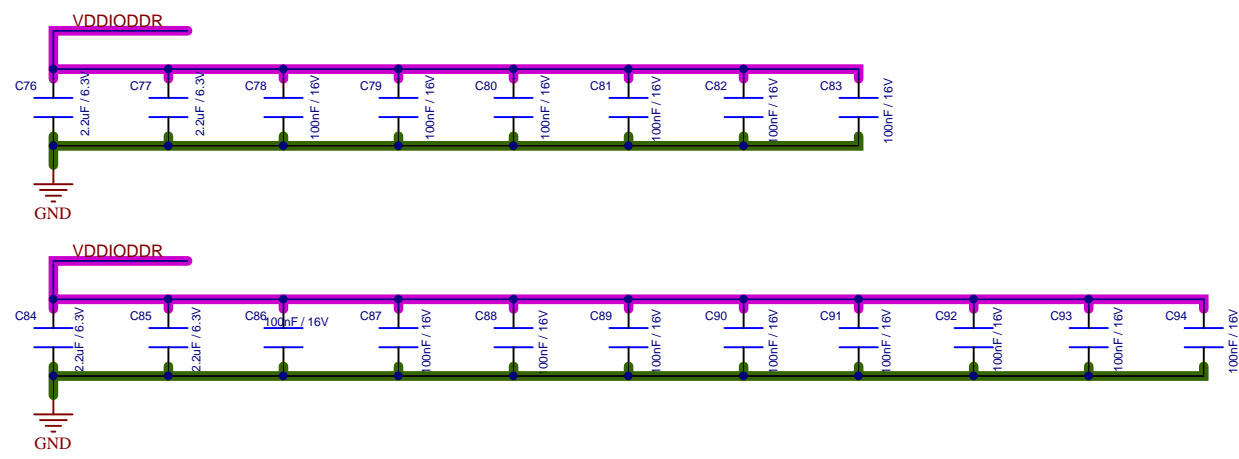
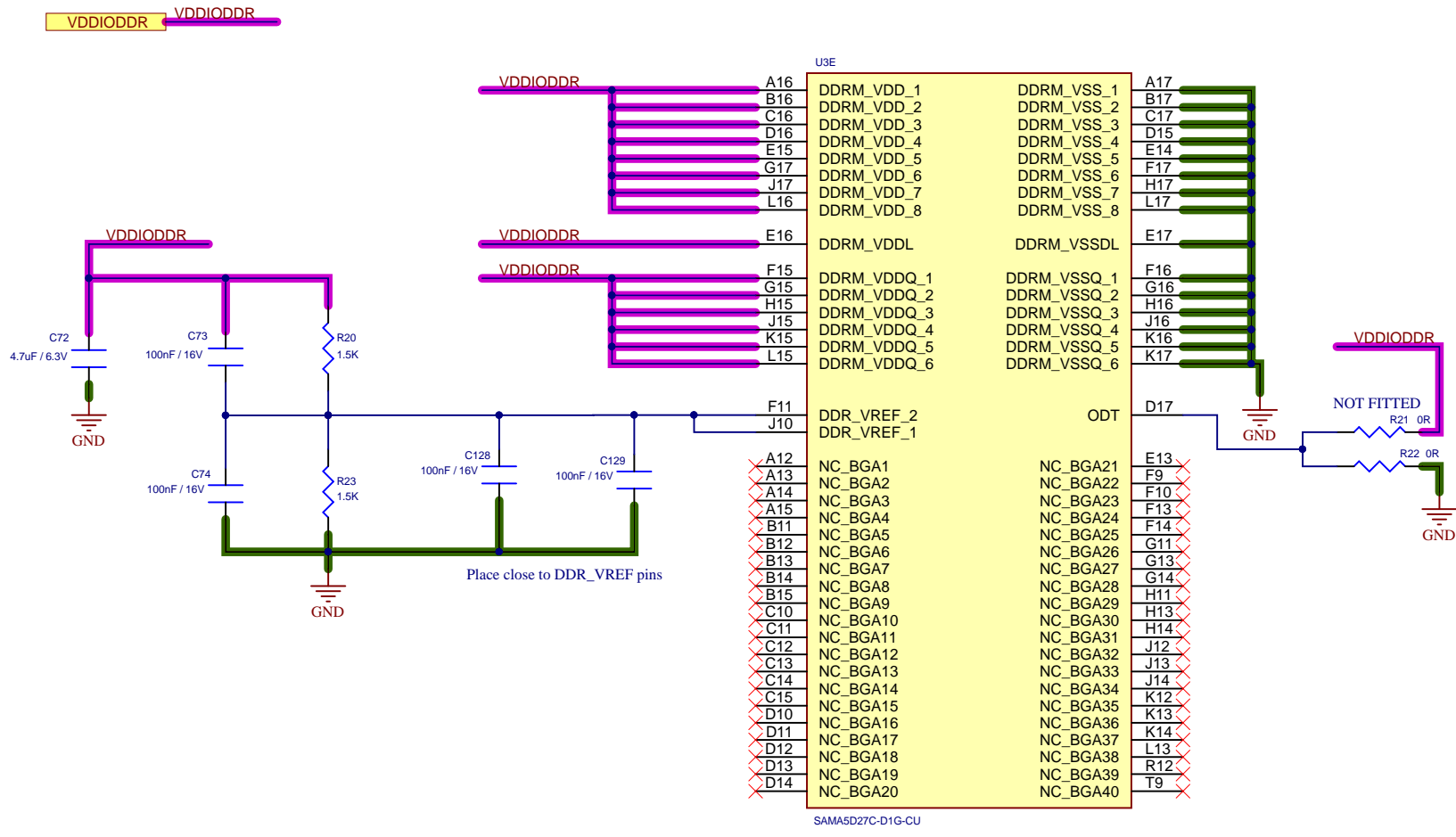


U3G		U5	
VDDCORE_1	GNDCORE_1	VDDBU	GNDBU
VDDCORE_2	GNDCORE_2	VDDANA	GNANA
VDDCORE_3	GNDCORE_3	VDDADC	GNADC
VDDCORE_4	GNDCORE_4	VDDIOPO_1	GNIOPO_1
VDDCORE_5	GNDCORE_5	VDDIOPO_2	GNIOPO_2
VDDCORE_6	GNDCORE_6	VDDIOP1_1	GNIOPI1_1
		VDDIOP1_2	GNIOPI1_2
		VDDIOP2_1	GNIOPI2_1
VDDDDR_1	GNDDR_1	VDDHVIC	GNHVIC
VDDDDR_2	GNDDR_2	VDDFUSE	GNDDPLL
VDDDDR_3	GNDDR_3	VDDFLDPLL	GNFLDPLL
VDDDDR_4	GNDDR_4	VDDUTMI_CORE	GNUTMI_CORE
VDDDDR_5	GNDDR_5	VDDUTMI	GNUTMI
VDDDDR_6	GNDDR_6	VDDSDHC	GNSDHC
VDDDDR_7	GNDDR_7	VDDPLLA	GNPLLA
		VDDOSC	GNOSC
		VDDISI	GNISI

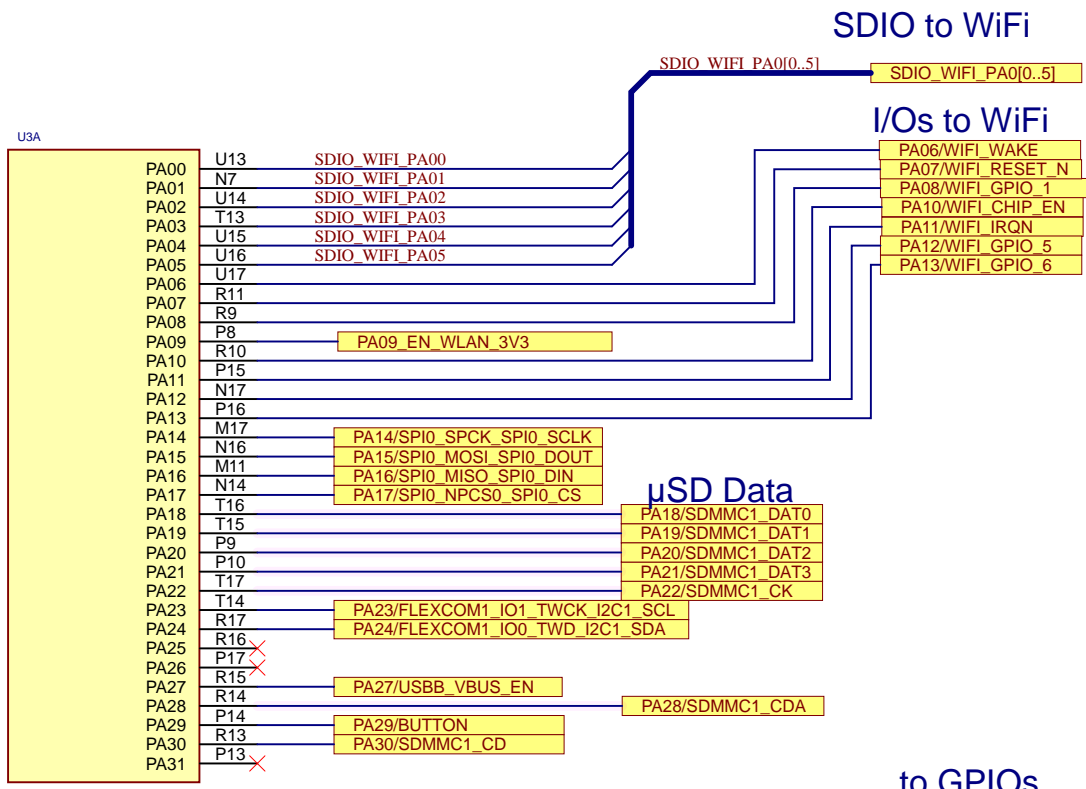
Product: NTSecureGateway HelmsDeep96		
Sheet: SAMA5 Clock		
File Name: HD96_SAMA5-Clock.SchDoc	Document Number: 11648_0008_0002_A-96Board	Revision: V 1.3
Last Modification: 04.10.2019 17:46:51		Blatt 4 von 16

**Important: SAMA5D2 SIP devices are not pin-to-pin compatible with SAMA5D2 devices**

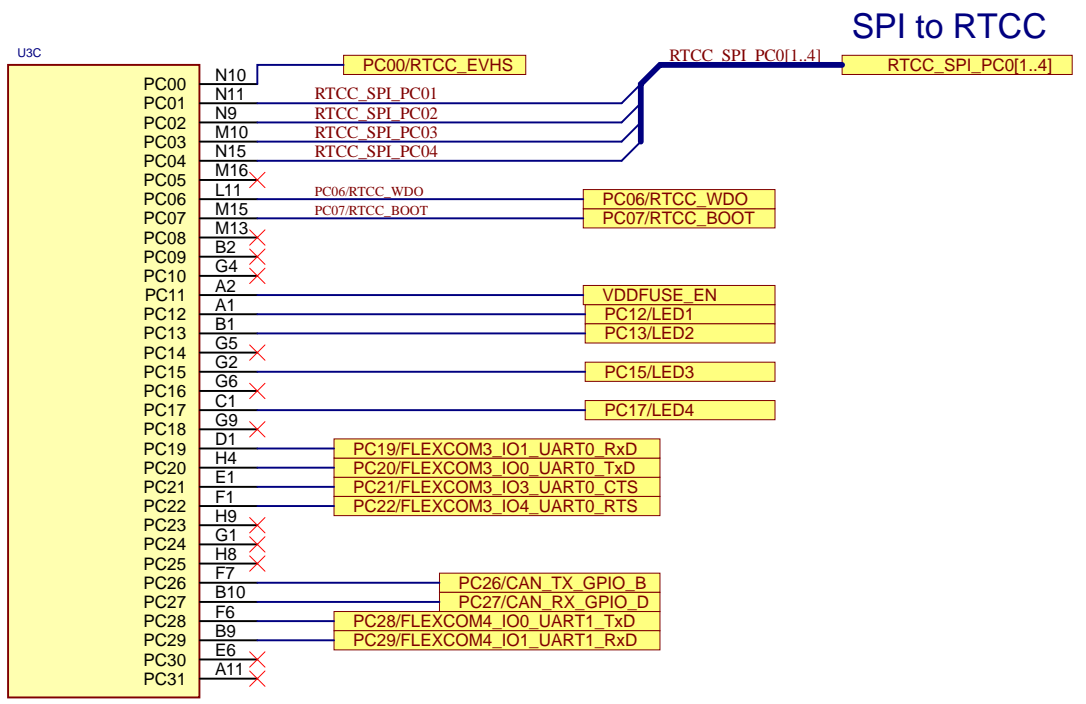
# DDR2 Memory



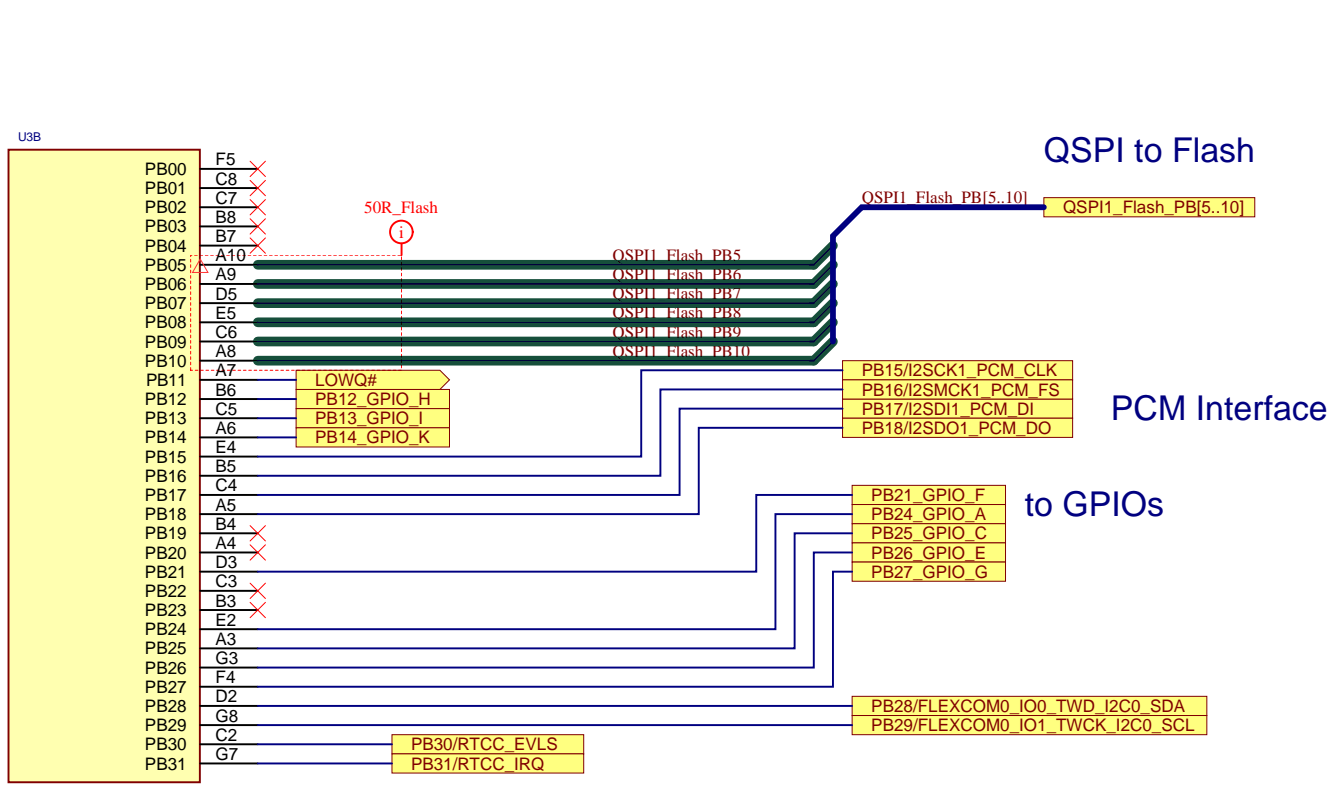
Product: NTSecureGateway HelmsDeep96	
Sheet SAMA5 DDR2 Memory	
File Name: HD96_SAMA5-DDR2.SchDoc	Document Number: 11648_0008_0002_A-96Board
Last Modification: 04.10.2019 17:46:51	Revision: V 1.3
Blatt 5 von 16	



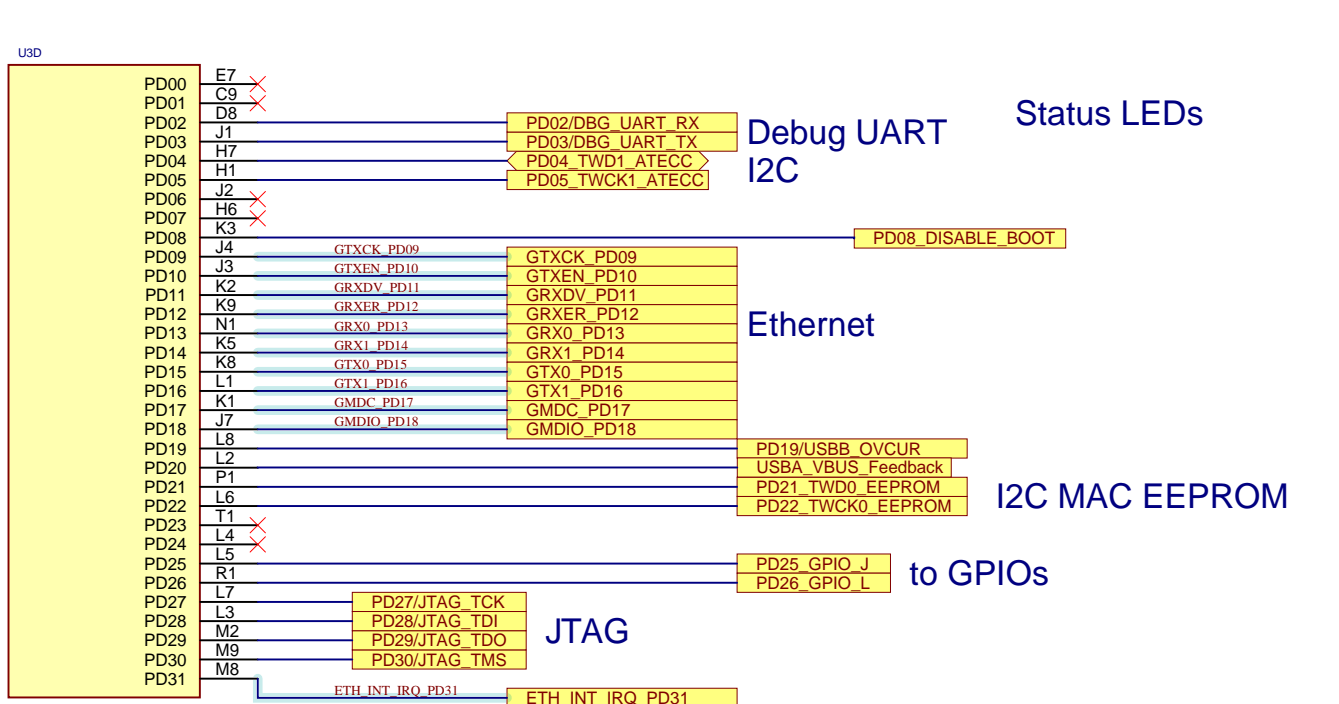
SAMA5D27C-D1G-CU



SAMA5D27C-D1G-CU



SAMA5D27C-D1G-CU

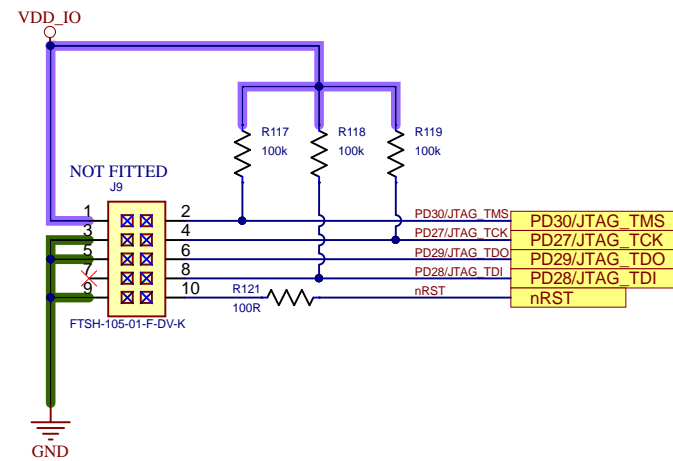


SAMA5D27C-D1G-CU

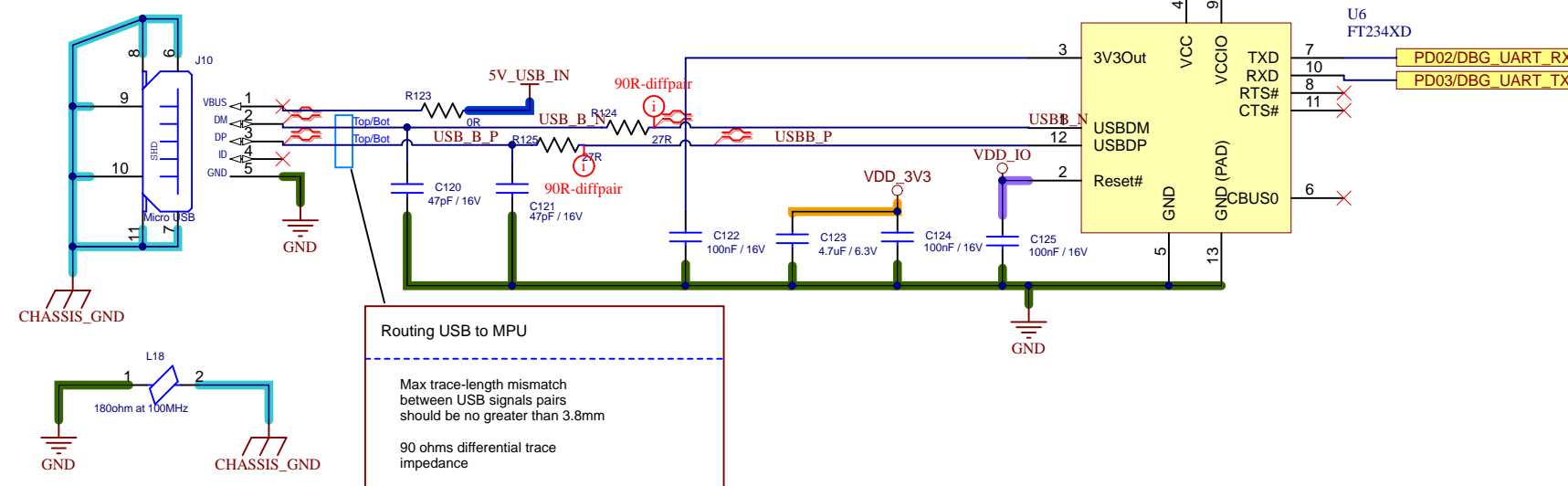



Product: NTSecureGateway HelmsDeep96	
Sheet SAMA5 IOs	
File Name: HD96_SAMA5-IO.SchDoc	Document Number: 11648_0008_0002_A-96Board
Last Modification: 04.10.2019 17:46:51	Revision: V 1.3
Blatt 6 von 16	

## JTAG Interface for SAMA5

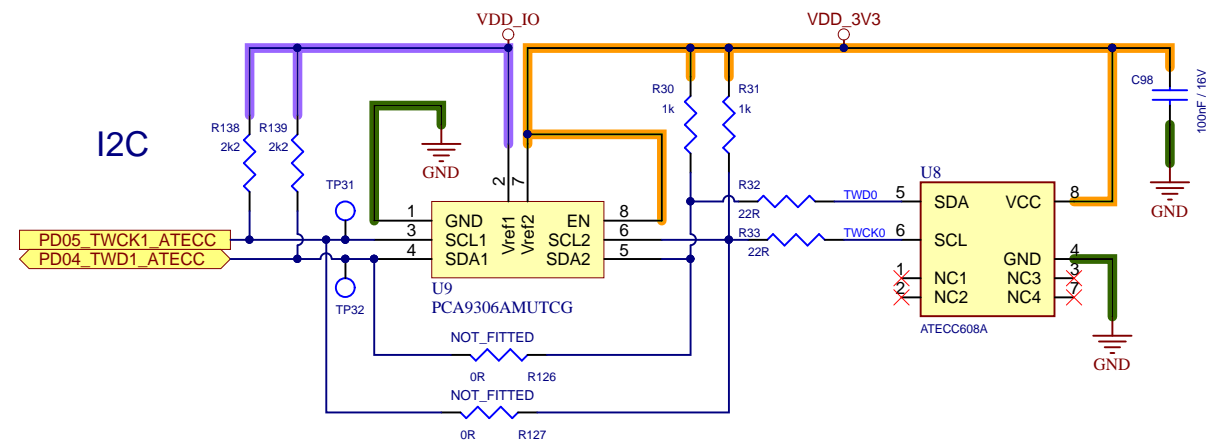


## USB Serial Console (Micro USB)




 System-Entwicklung und Beratung www.newtec.de	Product: NTSecureGateway HelmsDeep96		
	Sheet SAMA5 Debug interfaces		
	File Name:	Document Number:	Revision:
	HD96_SAMA5-Debug.SchDoc	11648_0008_0002_A-96Board	V 1.3
Last Modification: 04.10.2019 17:46:51		Blatt 7 von 16	

## Secure Element

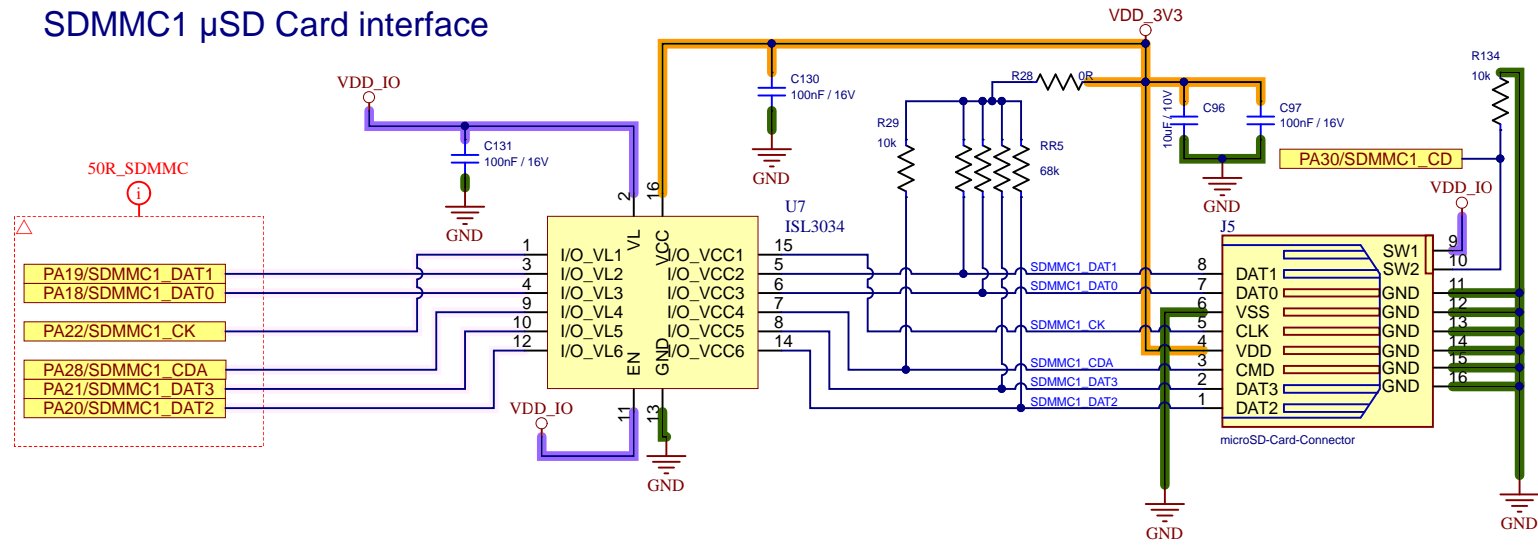


For 3V3 VDDIO remove U9 and Fit R126+R127

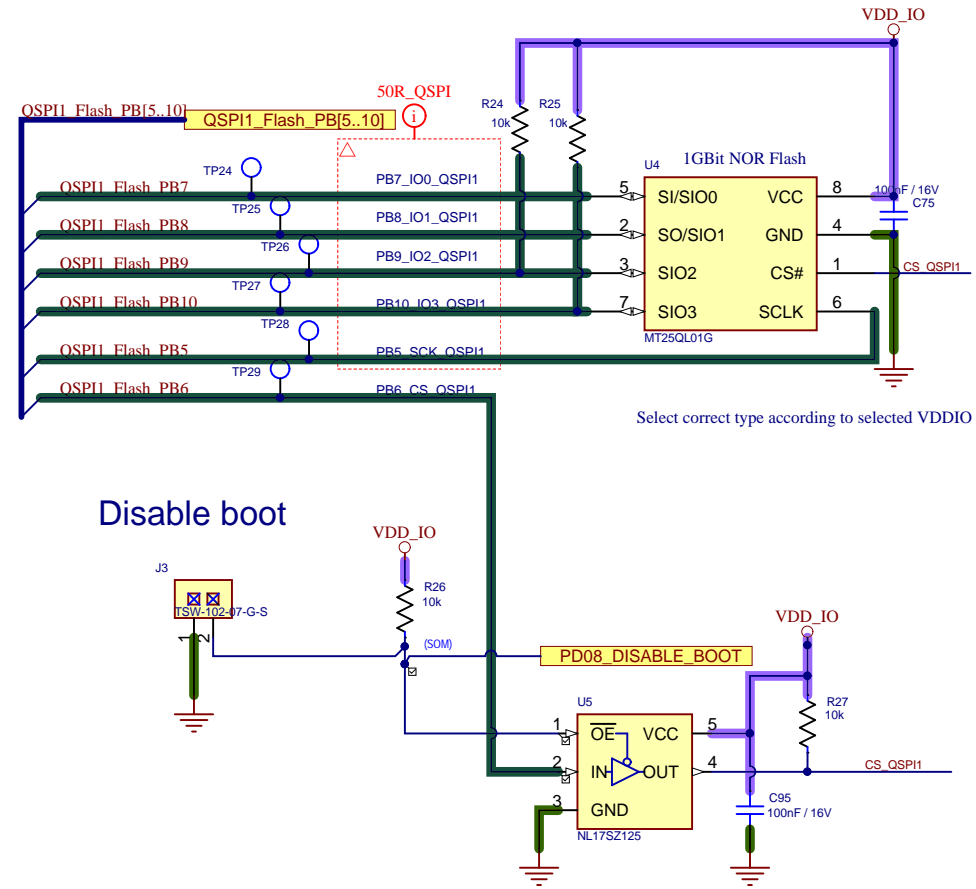
 <p>System-Entwicklung und Beratung www.newtec.de</p>	Product: NTSecureGateway HelmsDeep96		
	Sheet Secure Element ECC608		
	File Name:	Document Number:	Revision:
	HD96_Secure-Element.SchDoc	11648_0008_0002_A-96Board	V 1.3
Last Modification: 04.10.2019 17:46:51		Blatt 8 von 16	



### SDMMC1 $\mu$ SD Card interface



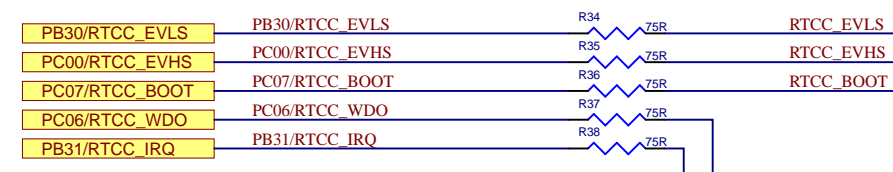
### QSPI Flash



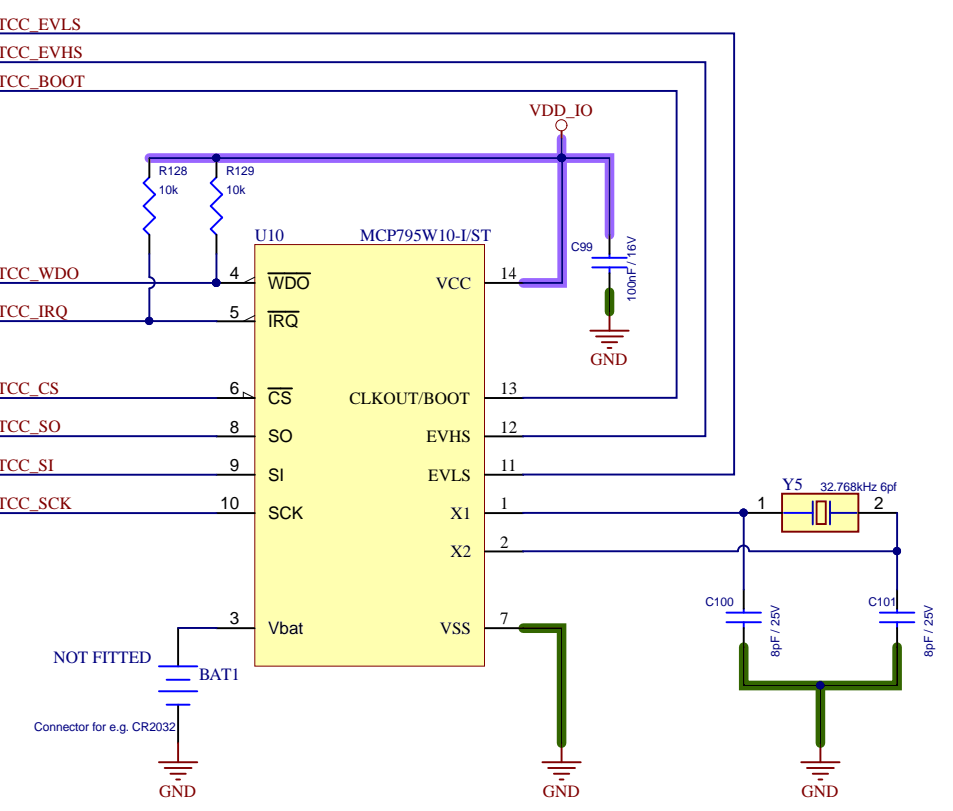
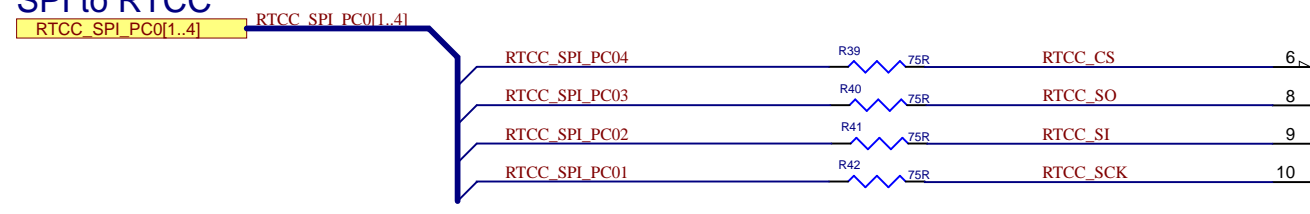
Product: NTSecureGateway HelmsDeep96	
Sheet $\mu$ SD Card interface & Flash	
File Name: HD96_Flash.SchDoc	Document Number: 11648_0008_0002_A-96Board
Last Modification: 04.10.2019 17:46:52	Revision: V 1.3
Blatt 9 von 16	


# Real Time Clock

## I/O to RTCC

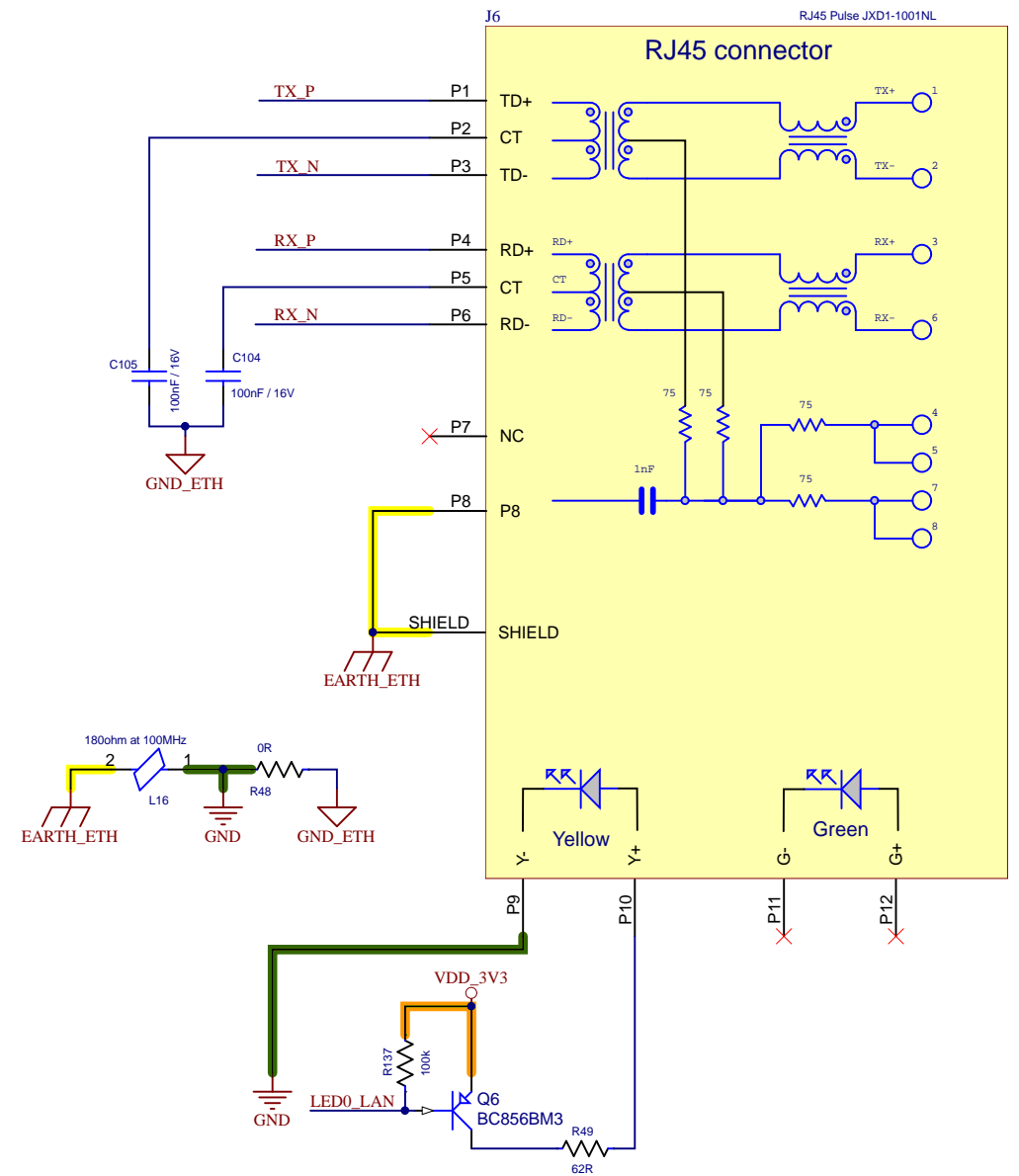
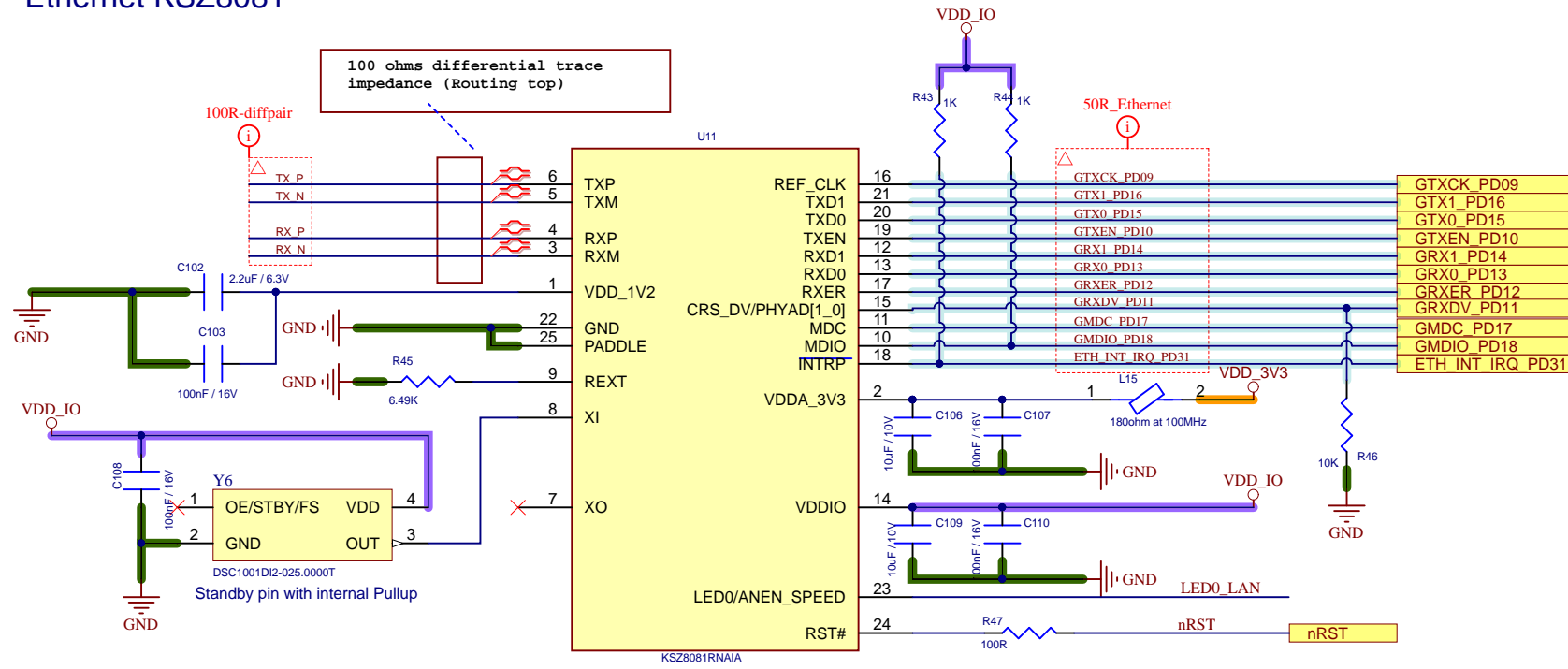


## SPI to RTCC

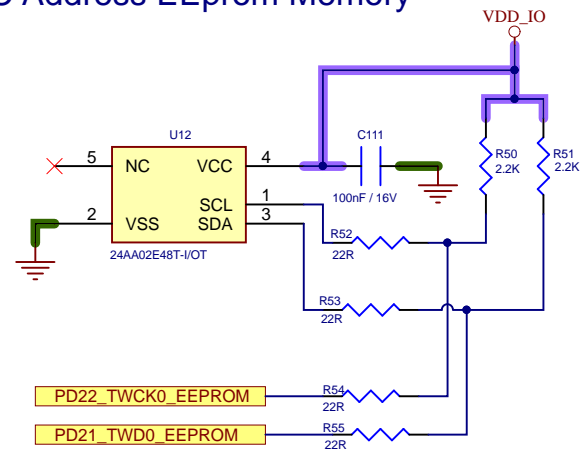


 System-Entwicklung und Beratung www.newtec.de	Product: NTSecureGateway HelmsDeep96		
	Sheet Independent RTC		
	File Name: HD96_RTC.SchDoc	Document Number: 11648_0008_0002_A-96Board	Revision: V 1.3
	Last Modification: 04.10.2019 17:46:52		Blatt 10 von 16

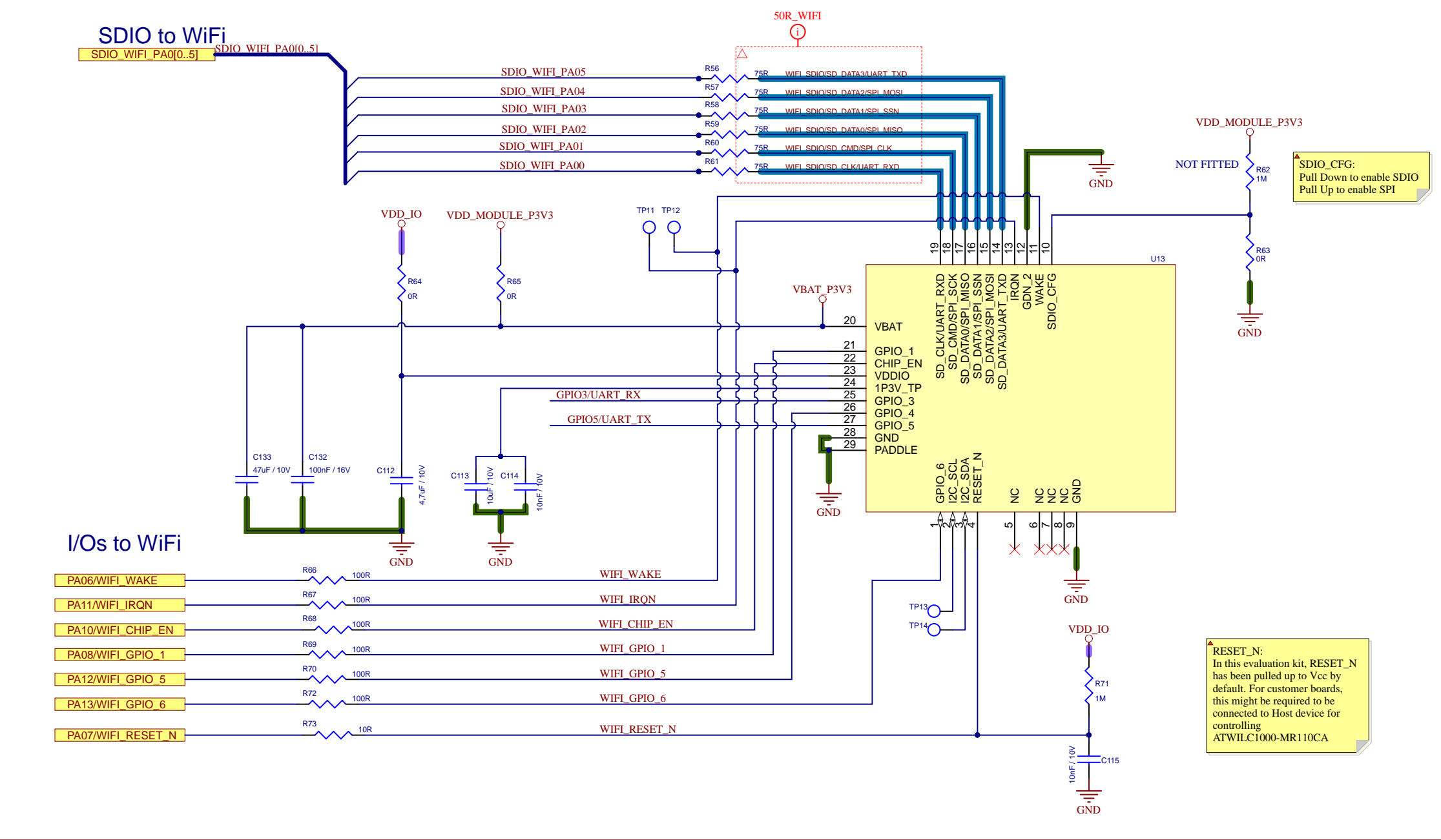
# Ethernet KSZ8081



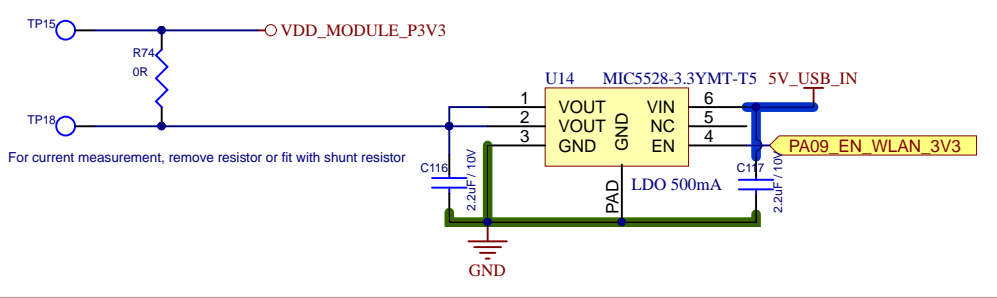
## MAC Address EEprom Memory



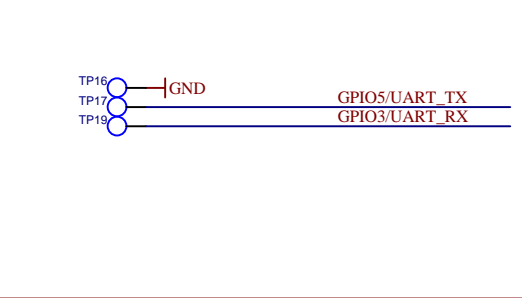
# ATWILC1000-MR110UB



## WIFI CURRENT MEASUREMENT HEADER

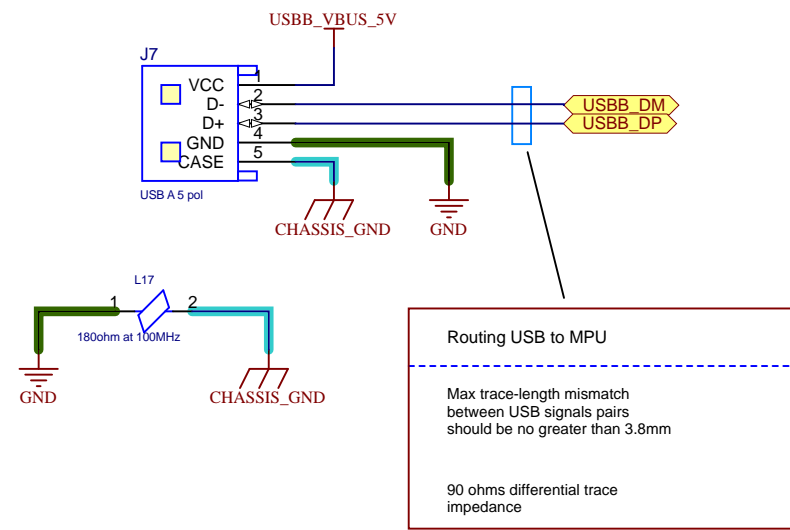


## DEBUG UART ATWILC1000

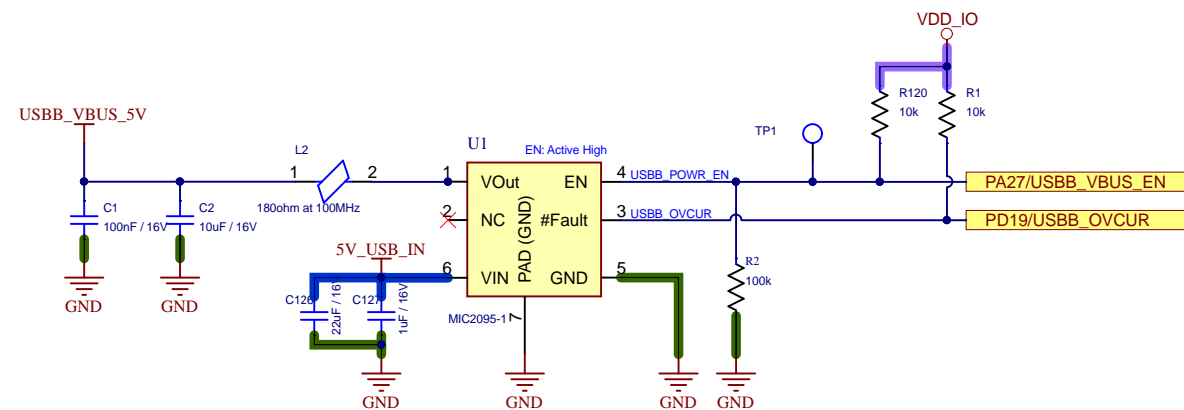


Product:	NTSecureGateway HelmsDeep96		
Sheet:	Wifi		
File Name:	HD96_WIFI.SchDoc	Document Number:	11648_0008_0002_A-96Board
Last Modification:	04.10.2019 17:46:52	Revision:	V 1.3
			Blatt 12 von 16

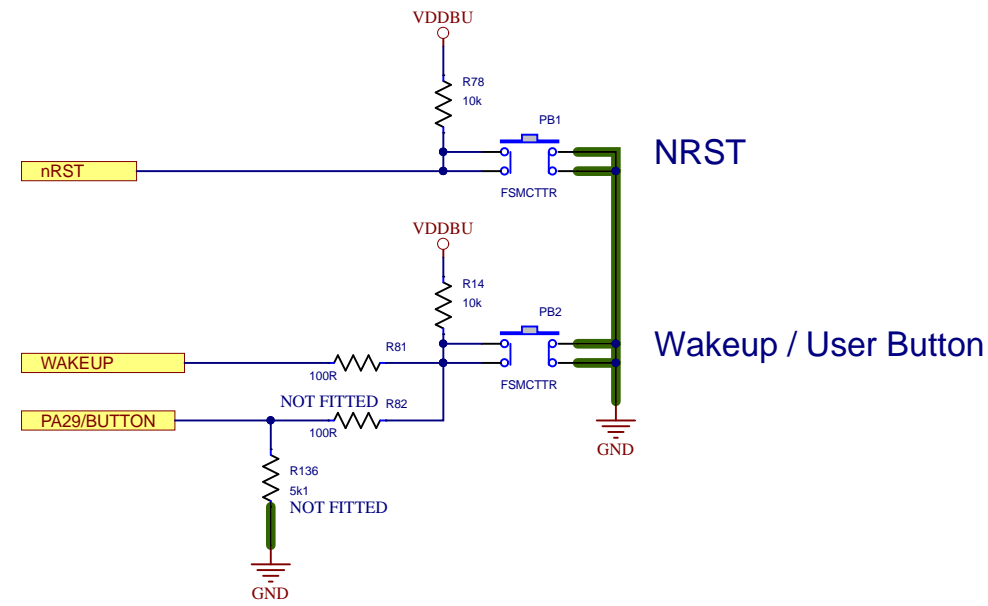
## USB Host (USB Type A connector)



## USB Host Power Switch + Current protection

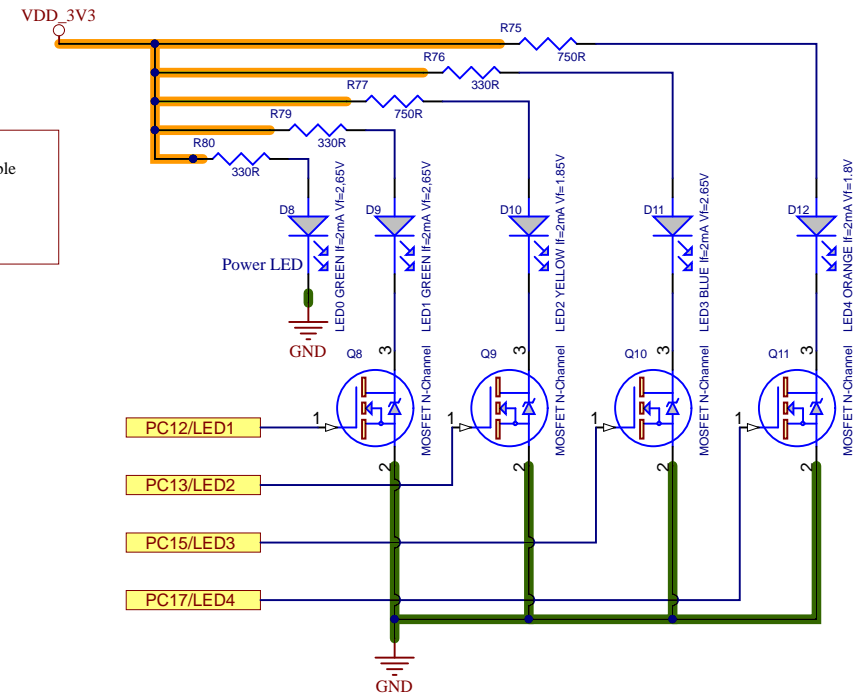



### System Button



### Status LEDs

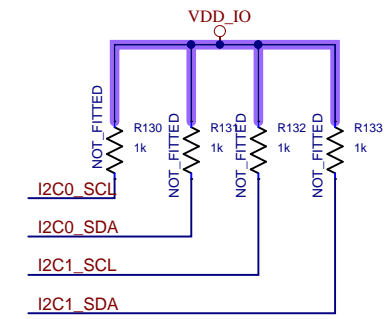
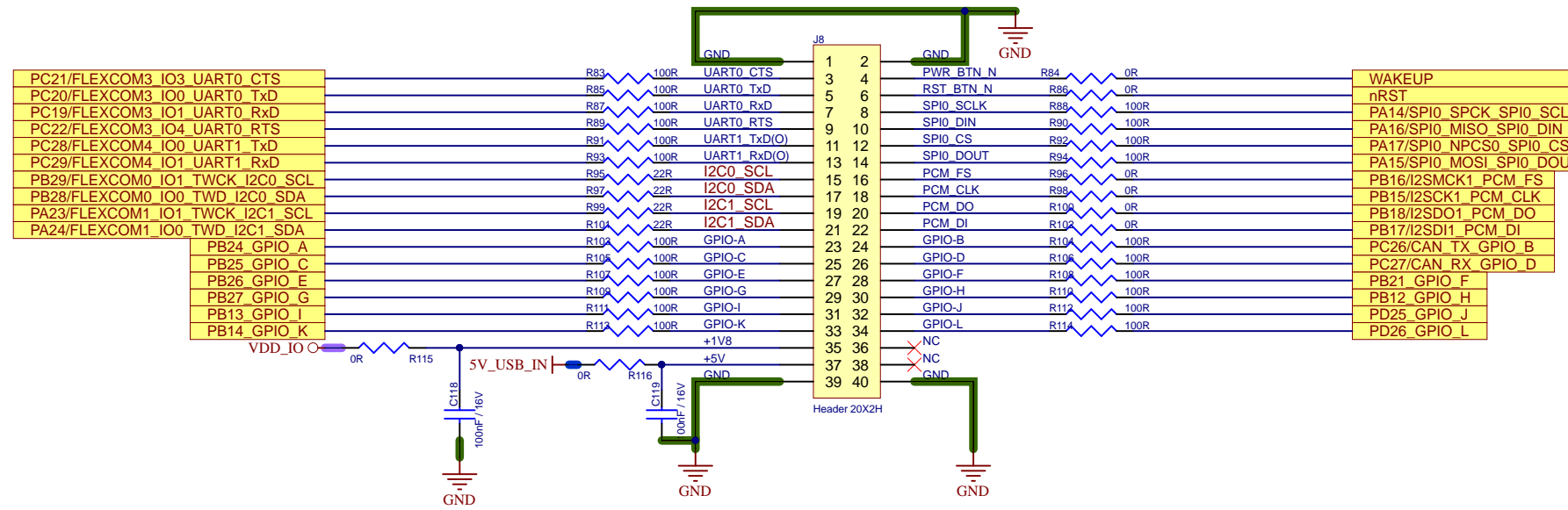
- LED0: Power LED
- LED1: User programmable
- LED2: WIFI active
- LED3: Bluetooth active
- LED4: Zigbee active




 <p>System-Entwicklung und Beratung www.newtec.de</p>	Product: NTSecureGateway HelmsDeep96		
	Sheet HMI		
	File Name: HD96_HMI.SchDoc	Document Number: 11648_0008_0002_A-96Board	Revision: V 1.3
	Last Modification: 04.10.2019 17:46:52		Blatt 14 von 16

# Low Speed Expansion Connector


## 96Boards IOT Edition 1,8V



 System-Entwicklung und Beratung www.newtec.de	Product: NTSecureGateway HelmsDeep96		
	Sheet Low Speed Expansion Connector		
	File Name:	Document Number:	Revision:
	HD96_ExpansionConnector.SchDoc	11648_0008_0002_A-96Board	V 1.3
Last Modification: 04.10.2019 17:46:52		Blatt 15 von 16	

## Changes

Revision	Change Description	Date	Name
	Initial Revision	2018-05-22	AGV
V0.1	<p>Replace MIC 2025 by MIC 2095                      Add RC filter to MIC 2800 to implement power sequencing                      Add 100nF Capacitors close to DDR_VREF pins                      Mark R21 as not fitted                      mark R30, R31 as fitted (I2C pull-up)                      Change EN Pin Voltage Source to Vref2                      Check U7 Pinout                      add pull-ups to WDO and IRQ on U10                      Check VDDA and VDDIO wiring on U11                      Check series resistor R49 for LAN LED                      Check VDDIO wiring on U13                      Add pull up resistors for I2C on Expansion Connector</p> <p>Add Pullup to uSD card detect signal</p> <p>Add Separate LDO for VDDFUSE</p> <p>Change pinning for LEDs and SDMMC1_CD to keep compatibility with industrial version</p>	2018-09-21	AB
V1.2	<p>Part No for NOR Flash corrected (-&gt; 1V8 Version); Part No for WIFI Moudule updated to Version with integrated Antenna                      Add 0R for JTAGSEL to GND                      Connect Micro SD Card Detect to PA30 instead of PD23                      Change Footprint of C123 to 0805                      Connect Power Domains VDDISC and VDDSDHC to VDD_IO                      Correct Signal Naming of PA13_EN_WLAN_3V3 to PA09_EN_WLAN_3V3                      Switch Power Source for LEDs from VDD_IO to VDD_3V3                      Add CAN Signals to Mezzanine Connector, connect GPIO B to PC26/CANTX instead of PB19 and GPIO D to PC27/CANRX instead of PB20                      Add Support for external VDDBU                      Change Part No. of J3 to lower profile type</p>	2019-05-03	AB
V1.3	<p>Add FET for switching LED on Ethernet Jack                      Fix Pullups on GPIOs to VDD_IO instead of VDD_3V3: PA27, PA07, PD19                      Add Voltage Devider for PA29, but set R82 to DNP, because Wakeup button needs VDDBU. so Button can only be used as User Button OR Wakup button                      Fix Card Detect                      Fix double use of Flexcom3 on Expansion Connector: Use Flexcom1 on PA23/PA24 for I2C1                      Fix Ethernet Oscilator Part No from DESC6011 to DESC1001                      Fix EMC Problem on MIC2800: Add C134 parallel to C7                      Add Pullups to I2C R138 and R139                      Add C135 to VDDFuse Enable</p>	2019-09-11	AB

 System-Entwicklung und Beratung www.newtec.de	Product: NTSecureGateway HelmsDeep96		
	Sheet Revision History		
	File Name:	Document Number:	Revision:
	HD96_RevisionHistory.SchDoc	11648_0008_0002_A-96Board	V 1.3
Last Modification: 04.10.2019 17:46:52		Blatt 16 von 16	